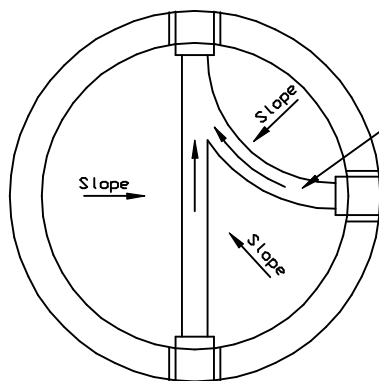


SCIOTO VALLEY PRECAST COMPANY

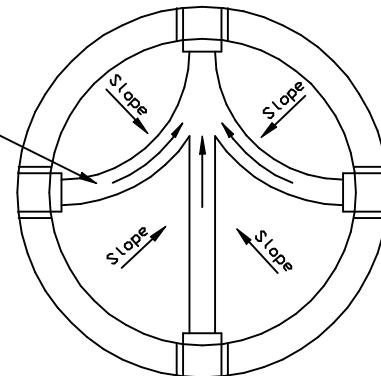
3218 S. BRIDGE STREET

CHILlicoTHE, OHIO 45601

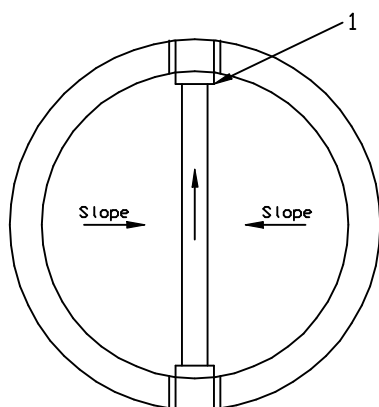
PHONE (740) 663-2659



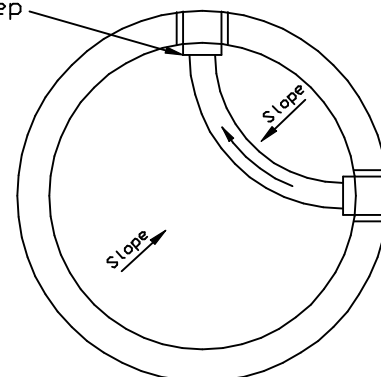
TYPICAL 3 WAY FLOW



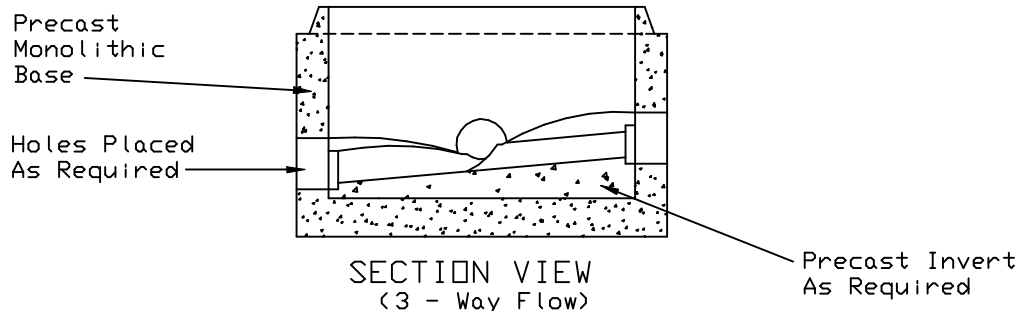
TYPICAL 4 WAY FLOW



TYPICAL STRAIGHT FLOW



TYPICAL CURVE FLOW



SPECIFICATIONS

CONCRETE STRENGTH - 4500 PSI (3.10 x 10 <>8 Pa) @ 28 Days

INVERT DEPTH 1/2 Depth Of Pipe

GRADE OF FALL Per Job Requirements

BENCH 1" Max. Above Center Line Of Highest Inlet

OPTIONS Varying Invert Depth. Alternate Bench Slopes

8" - 12" MANHOLE FLOW CHANNELS - FACTORY PRECAST