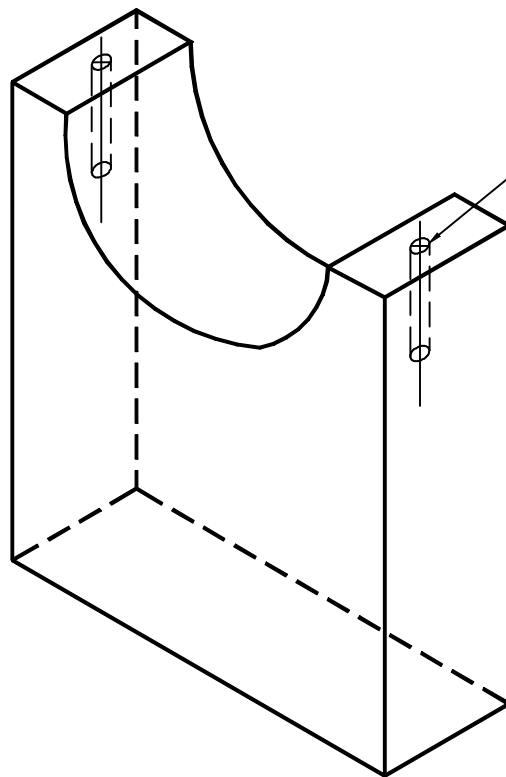


# SCIOTO VALLEY PRECAST COMPANY

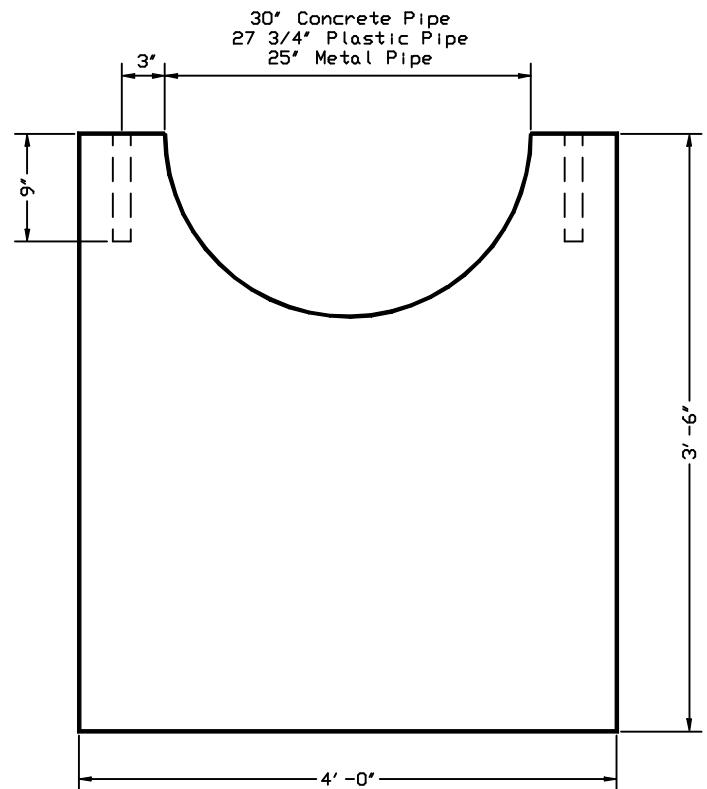
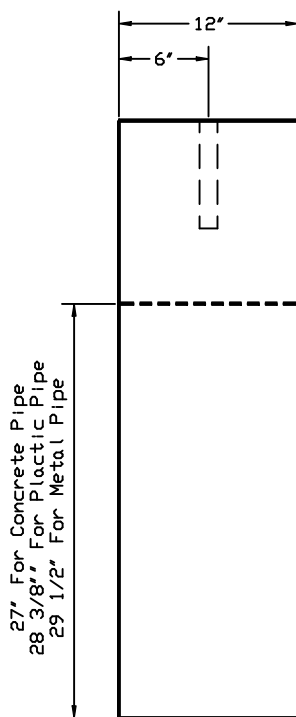
3218 S. BRIDGE STREET

CHILLICOTHE, OHIO 45601

PHONE (740) 663-2659



1 1/2" Dia Holes  
Cast in Headwall  
For Anchor Cables  
(2 Places)



Contractor/odot to specify pipe material

Concrete strength to meet ODOT Class C specifications ASTM C 94

Gap between hole and outside of pipe to be filled with non-shrink grout.

Approved By: \_\_\_\_\_ Date: \_\_\_\_\_